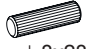
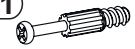


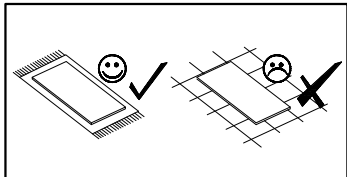
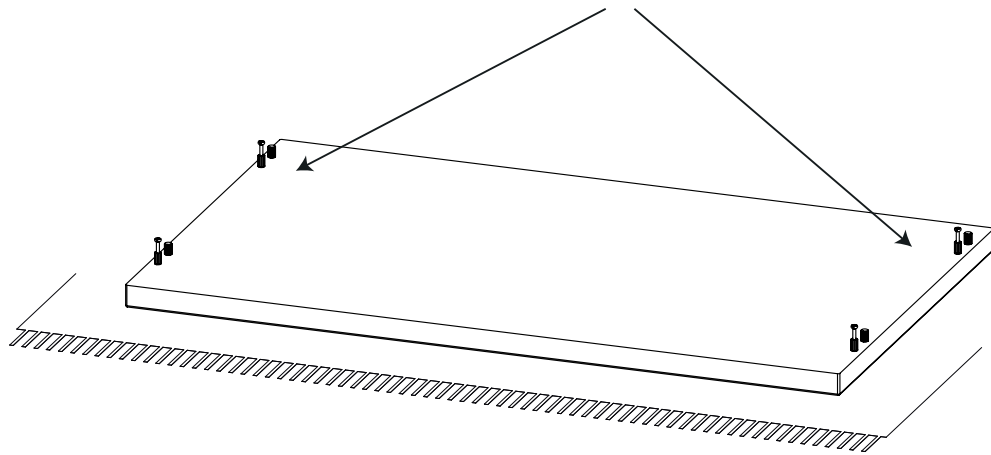
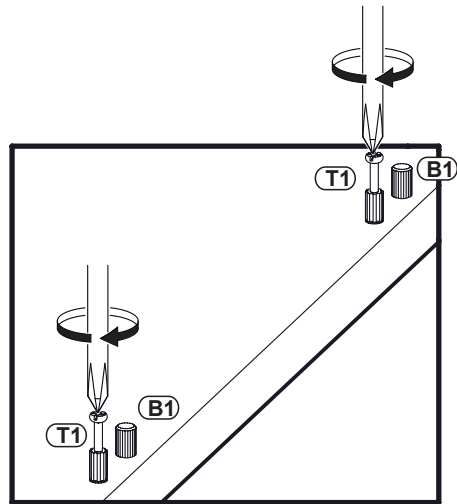
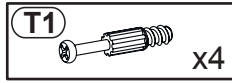
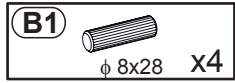
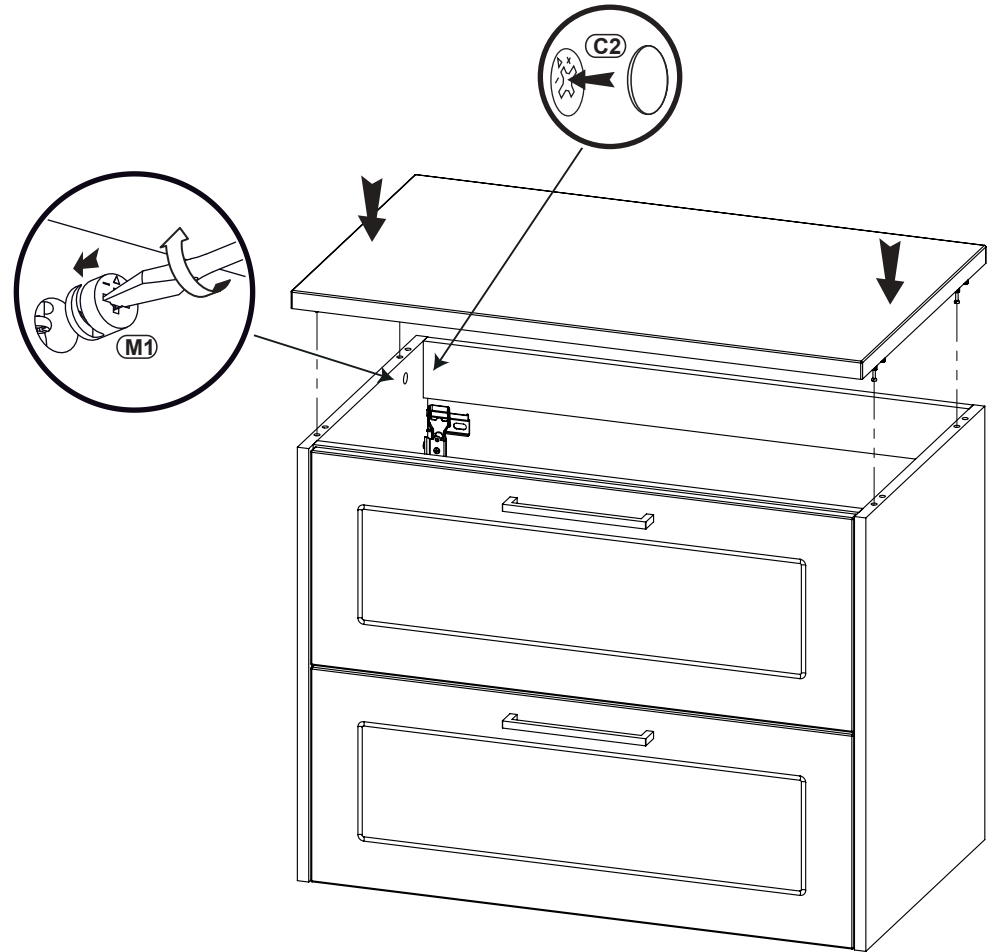
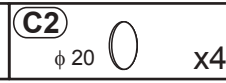


| | | | |
|-----------|---|-------------|----|
| B1 |  | ϕ 8x28 | x4 |
| T1 |  | | x4 |
| M1 |  | | x4 |
| C2 |  | ϕ 20 | x4 |

1



2



Typ 821